

Masport®

EUROPEAN ROTARY MOWERS

SERIES 18 - OPC

	<u>Part number</u>	<u>Model</u>	<u>Engine</u>
MASPORT	569816	350 ST SP Combo	B & S Series 500

Month and Year of First Manufacture - March 2009
SERIAL NUMBER STARTING FROM - 7198877

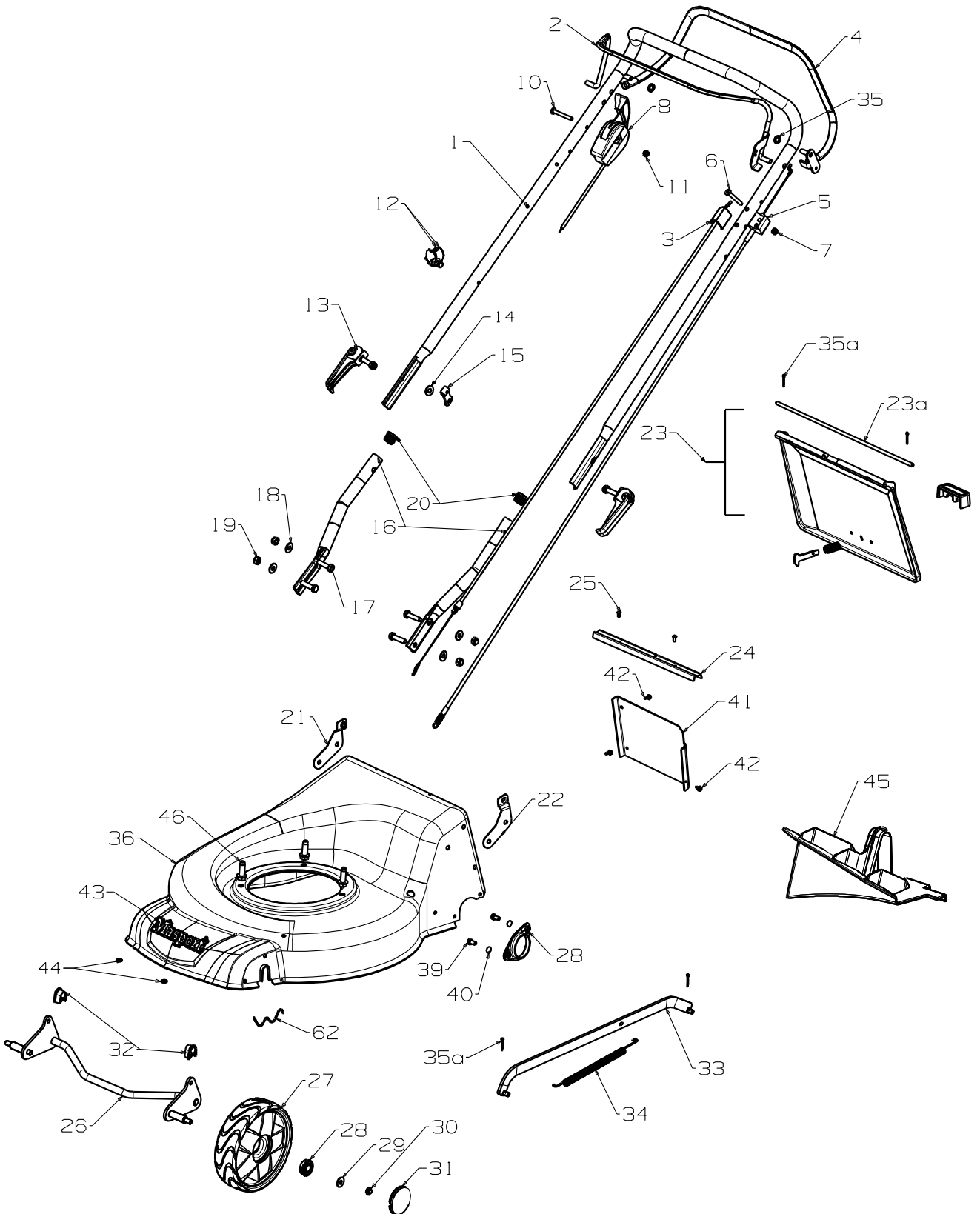




Powered by:
350ST SP Combo : Briggs & Stratton Series 500

Masport

Issue B
September 2012 BH
REF # 769816/S



When ordering PLEASE QUOTE PART NUMBER & Description, NOT Illustration No.
Determine right or left hand side from standing in operating position (standing at handle)



Powered by:
350ST SP Combo : Briggs & Stratton Series 500

Masport

Issue B
September 2012 BH
REF # 769816/S

Item No	Part No	Description	Qty	Item No	Part No	Description	Qty
1	781265	Handle-Upper, Upturned - Black	1			__==__	
2	981740	Bail Arm Assy, OPC Flatnd	1	36	773134	Housing- Stl 18" XF FS SP Ttnm	1
3	581656	Cable- Engine, OPC Push	1	37	529674	Retainer-Axle W, Front	2
4	982161	Bail Arm Assy, SP	1	38	581178	Retainer-Axle, Rear, 600 SP	2
5	582235	Cable-Clutch, ThumbWheel G/box	1	39	501959	Screw, Set M6x12 Hex	4
6	503604	Screw, Pan M6 x 45	1	40	500201	Washer, Spring 6	4
7	501764	Nut, Nyloc M6	1	41	573131	Tunnel- Gbox Cover 18" ST	1
8	583458	Control-Throttle, +Ve	1	42	503630	Screw, S/T 10x0.4	3
10	503604	Screw, Pan M6 x 45	1	43	581240	Nameplate	1
11	501764	Nut, Nyloc M6	1	44	503150	Clip-Starlock, 5 Dia	2
12	703856	Comfort Start Kit	1	45	573278	Insert- Mulching, 18" ST SP	1
13	779755	Cam Lock Assy	2	46	580453	Screw, S/T 3/ 8" x 1 1/8"	3
14	501606	Washer, Flat 8x19x1.6	2			__==__	
15	581527	Retainer- Clutch Cable	1			NOT ILLUSTRATED	
		__==__					
16	980692	Handle-Lower, Stub - Black	2	569324		Owners Manual	1
17	503643	Screw, Set M8x25	4				
18	501606	Washer, Flat 8x19x1.6	4				
19	501793	Nut, Nyloc M8	4				
20	503319	Plug- 22mm, Plastic	2				
21	579298	Bracket- Flap, RH	1				
22	579297	Bracket- Flap, LH	1				
		__==__					
23	782200	Flap Assy, Plastic	1				
23a	781743	Wire Flap Pivot 352 x 6	1				
24	583151	Dust Seal- Flap	1				
25	581369	Rivet- Pop 4.0x3.2	2				
		__==__					
26	983247	Axle Assy Front, 175mm	1				
27	579196	Wheel Assy-175mm BB Spoked	2				
28	551212	Bearing- Wheel	4				
29	501606	Washer, Flat 8 x 19 x 1.6	2				
30	503831	Nut- Nyloc, M8	4				
31	579198	Hub Cap, Button Spoked - Silver	4				
32	580030	Bush-Pivot, Front Axle	2				
33	569128	Rod Assy-Connecting, 460ST SP	1				
34	581463	Spring-Counter Balance	1				
35	501365	Clip-Starlock, 5/16"	2				
35a	501056	Pin, Cotter 2.3Dx16	4				

Bold Text = Assemblies
Bulleted Text = Items included in Assemblies

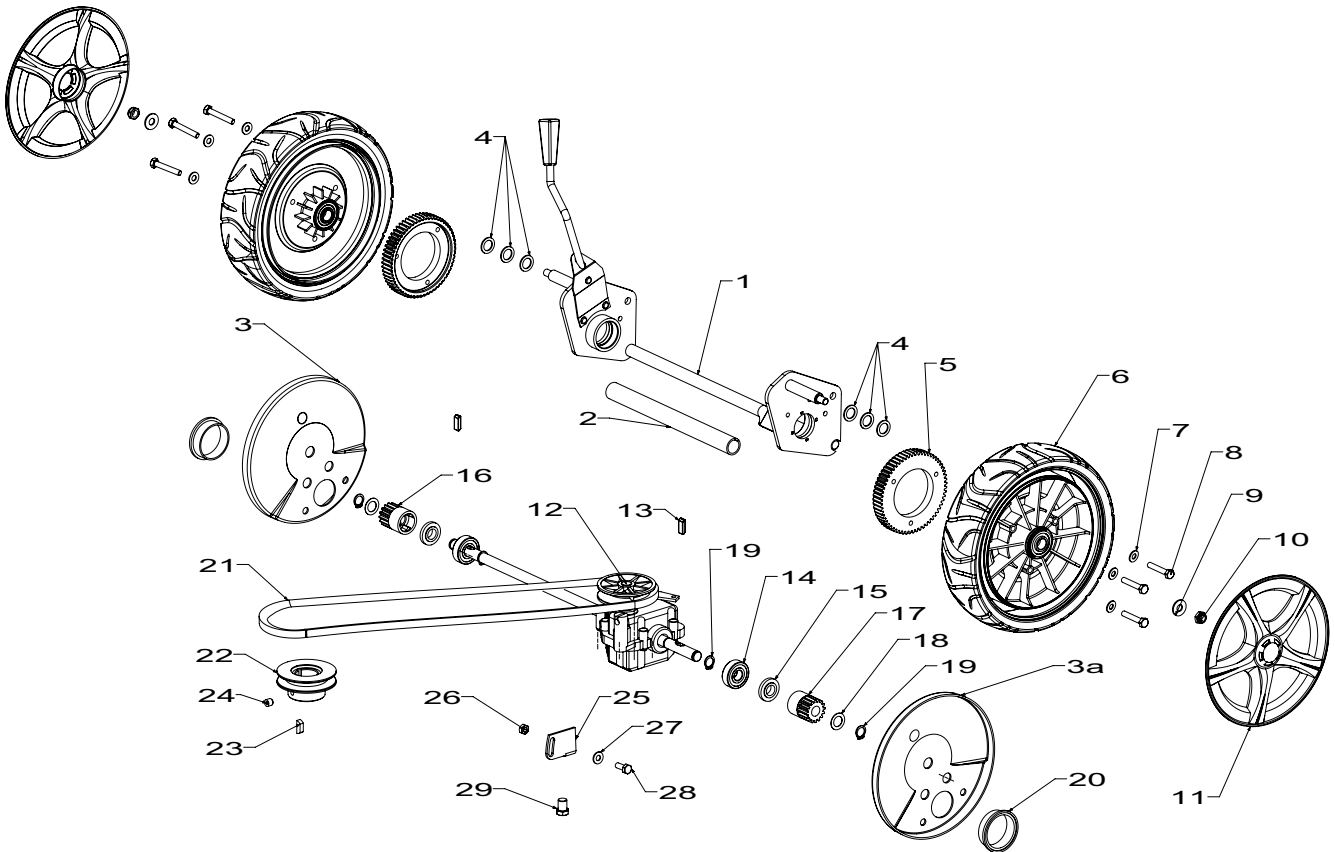
When ordering PLEASE QUOTE PART NUMBER & Description, NOT Illustration No.
Determine right or left hand side from standing in operating position (standing at handle)



Powered by:
350ST SP Combo : Briggs & Stratton Series 500

Masport

Issue B
September 2012 BH
REF # 769816/S

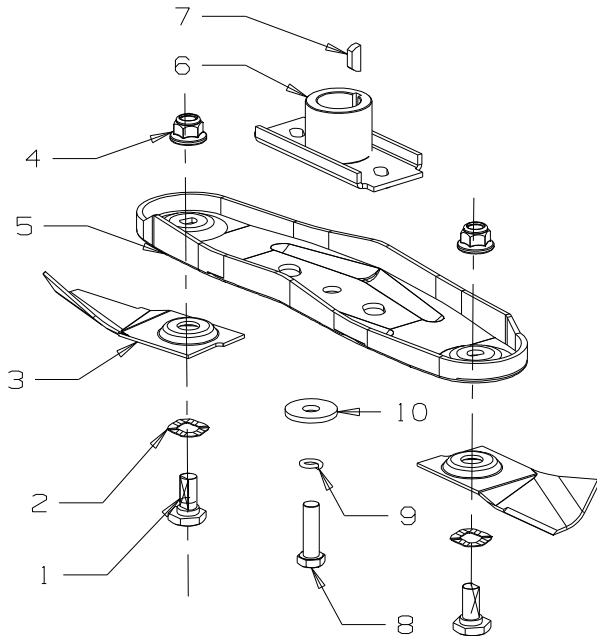


Item No	Part No	Description	Qty	Item No	Part No	Description	Qty
1	767248	Axle Assy,Rear Compl 18"SP	1	12	567116	Gear Box, Single Dog	1
2	580614	Sleeve, Rear Axle SP	1	13	581092	Pawl, Pinion 950 SP	2
3	579426	Dust, Cover RH + LH MSV SP	1	14	501213	Bearing, 12x32x10 6201 2RS	2
3a	579427	Dust, Cover LH Maxic SP	1	15	581093	Cap, Pinion 950 SP Plastic	2
4	503301	Washer, Flt 1/2x3/4x18	6	16	569178	Pinion L/H 12 Teeth	1
5	569180	Gear, Driving-45 TEETH	2	17	569179	Pinion R/H 12 Teeth	1
6	579070	Wheel Assy- 220mm BB MSV SP	2	18	503102	Washer, Flat 12x20x0.4	2
7	501703	Washer, Flat 6x14x1.2	6	19	503759	Circlip, 12 EXT DIN 471	4
8	501815	Screw, Set M6x35	6	20	580091	Bush- Pivot, Rear Axle	2
9	501606	Washer, Flat 8x19x1.6	2	21	557257	Belt- V PIX 'X' TRA 800	1
10	503831	Nut, M8 Nyloc 6 Thck	2	22	582515	Pulley- Engine, 7/8Bx79Dx34.5H	1
11	579207	Hub Cap, 220mm MSV SP Silv	2	23	500636	Key- W/Ruff 5/8x5/32x1/4	1
		__==__		24	503386	Screw, Grub M8x8	1
				25	567175	Mount, Gearbox Dog	1
				26	503973	Nut, M6 Nyloc Flange	1
				27	501703	Washer, Flat 6x14x1.2	1
				28	501702	Screw, Set M6x16	1
				29	501863	Screw, Set M8x12	1
						__==__	

When ordering PLEASE QUOTE PART NUMBER & Description, NOT Illustration No.
Determine right or left hand side from standing in operating position (standing at handle)

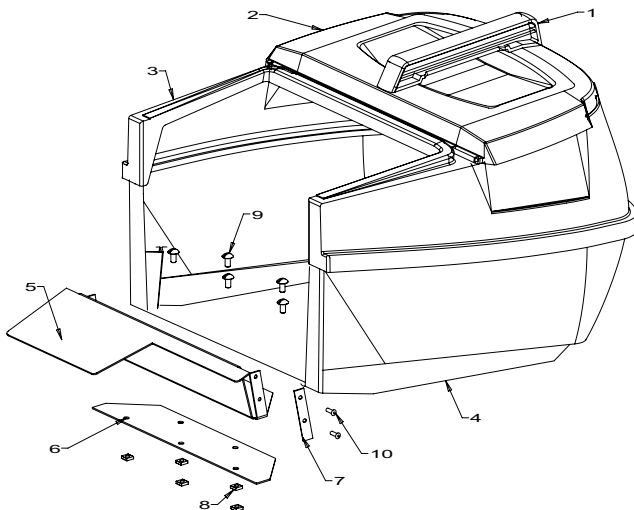


460mm Quick Cut Blade Assembly



Item	Part No	Description	Qty
	783049	Blade Quick Cut pack, (2per) <i>(incl items 1,2,3 and 4)</i>	1
	783690	Bolt Set, 2 Blade Assy <i>(incl items 1,2 and 4)</i>	1
1	581707	Bolt-Blade	2
2	580693	Washer, Wavy 13.4 x 24.2	2
3	583049	Blade, Quick Cut - 460mm	2
4	503672	Nut, Flange Nyloc M10	2
5	980653	Carrier, Blade Quick Cut	1
6	014173	Driver Assy-Blade - 7/8	1
7	500636	Key, Woodruff - 5/8" x 5/32" x 1/4"	1
8	581610	Screw, Set NF 3/8" x 1.25 NYG8	1
9	500204	Washer, Spring 3/8"	1
10	503667	Washer, Flat 9.75 x 30 x 4	1

Catcher Assembly Plastic 767058



Item	Part No	Description	Qty
1	579119	Catcher-Handle	1
2	579120	Catcher-Lid 18"	1
3	579117	Catcher-Top 18"	1
4	567057	Catcher-Bottom,	1
5	583216	Lip-Catcher, 460 ST SP	1
6	582222	Lip-Catcher, Backing Plate	1
7	582223	Plate-Rivet,CatcherBacking	2
8	502098	Nut, M6 Squ Pressed	5
9	503591	Screw, Pan M6x12 Poz	5
10	501303	Rivet- Pop 4.0x7.9	4